

PRODUCT SHEET:

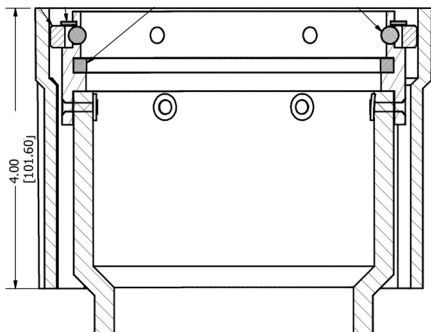
RAMPTECH LAVATORY DRAIN COUPLINGS



**Designed to make a superior connection.
Easily, quickly.**

Engineered for speed, ease and reliable use, RAMPTECH® Lavatory Drain Couplings are connected and locked via a quarter-turn onto any standard lavatory drain nipple at the service panel – enabling waste to be drained into a lavatory service vehicle during preflight servicing. These couplings provide a positive leak-proof connection on all standard 4 inch drain valves, eliminating ramp spills and waste contact with personnel.

Lightweight and easy to handle RAMPTECH® Lavatory Drain Couplings feature a bright, high visibility yellow collar. What's more, these couplings are constructed of extra durable impact-resistant, non-porous composite material to withstand the most demanding high volume use. Top quality features also include a stainless steel cam ring as well as a stainless steel retaining washer and snap ring to resist corrosion and add even more long lasting performance.



Sage
Part Number 383025

FEATURES

- ✓ Durable, impact-resistant, non-porous composite material
- ✓ Utilizes a stainless steel cam ring, retaining washer and snap ring for added corrosion resistance and durability
- ✓ Distinctive yellow colored collar for high visibility
- ✓ Positive leak-proof connection on all standard 4 inch drain valves
- ✓ Helps to eliminate ramp spillage and waste contact with servicing personnel
- ✓ Lightweight for easy handling and operation
- ✓ Hose bib connection for all standard 4 inch Lav service hoses, Part Number: 383331



Anticipating needs, meeting demands. Reducing costs.



Sage Parts
30 Hub Drive, Melville, NY 11747
+1.877.SAGE.877 | +1.631.501.1300 Tel
+1.631.501.1619 Fax
info@sageparts.com

www.sageparts.com